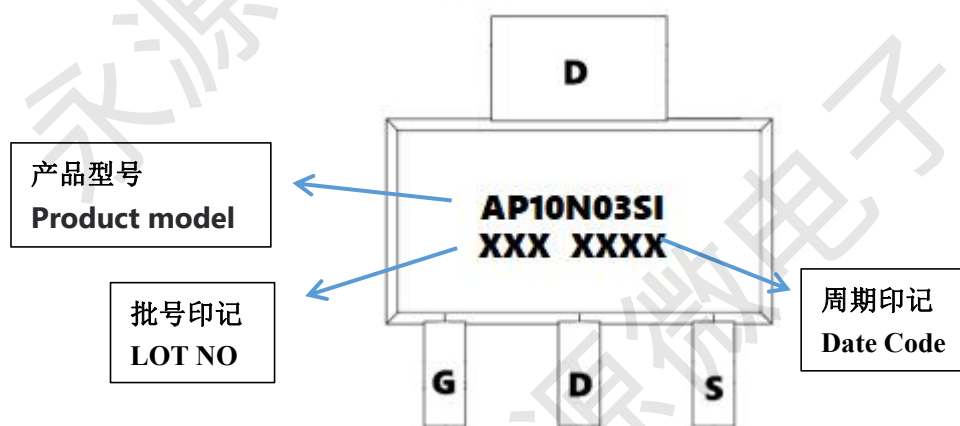
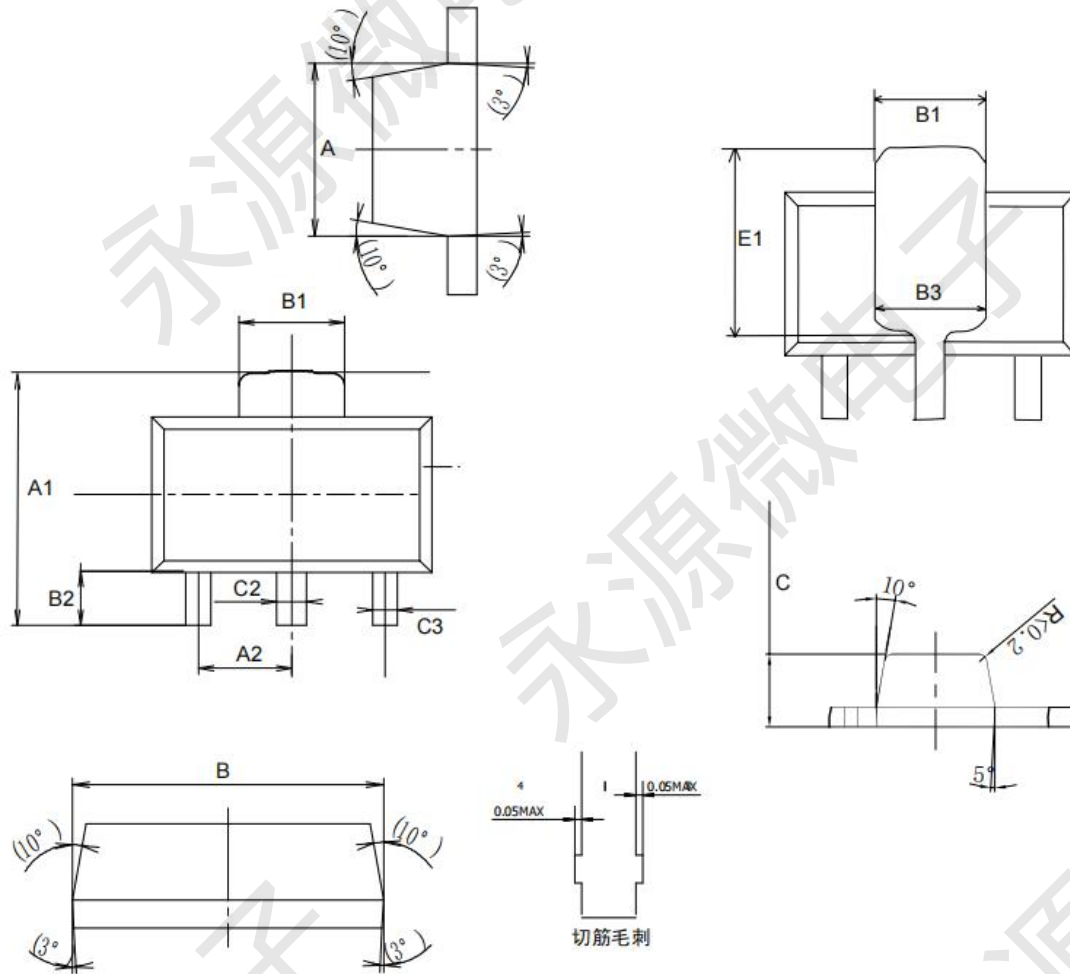


## Screening Instructions

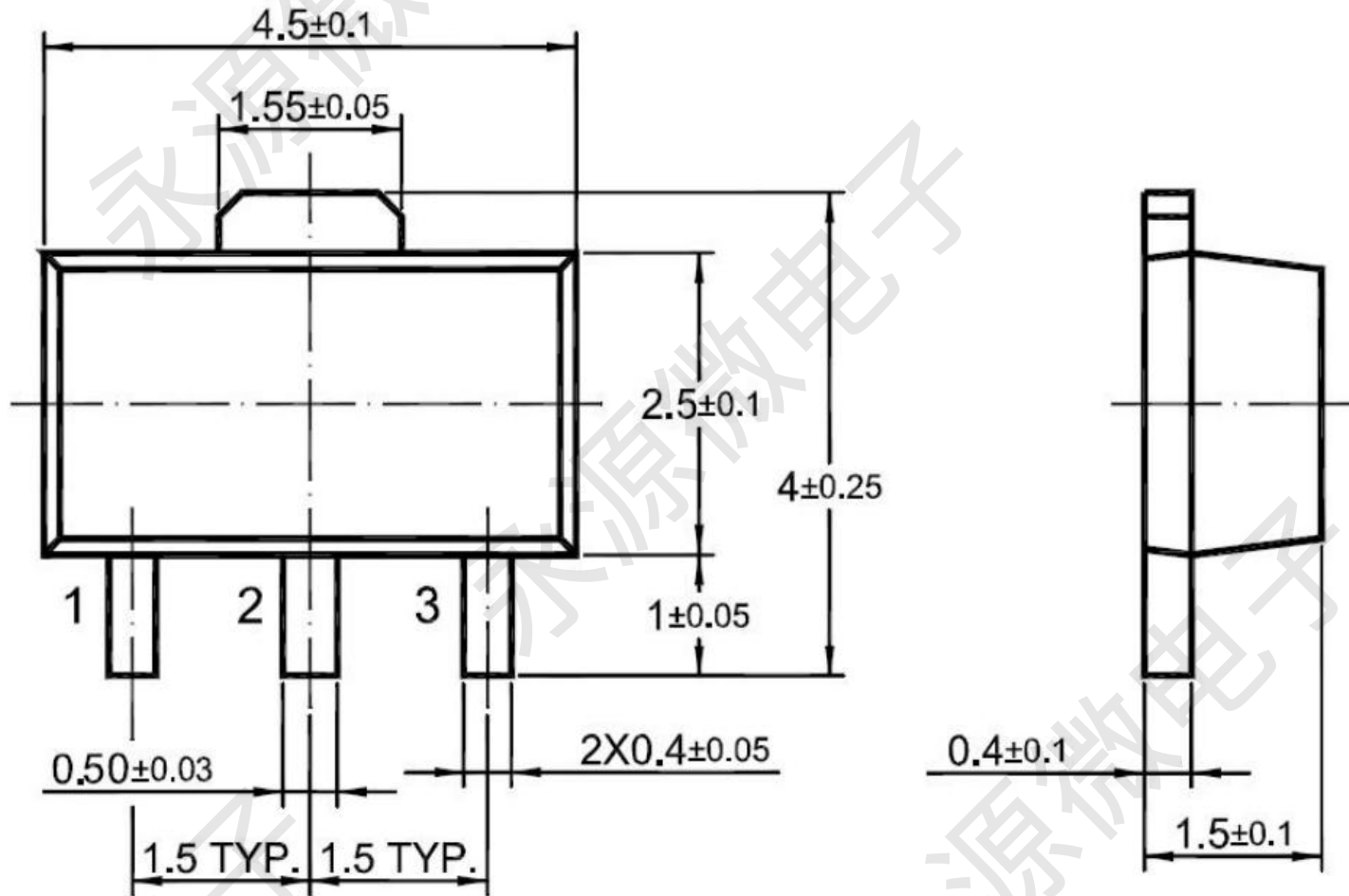


## Package Mechanical Data-SOT89-3L --- A

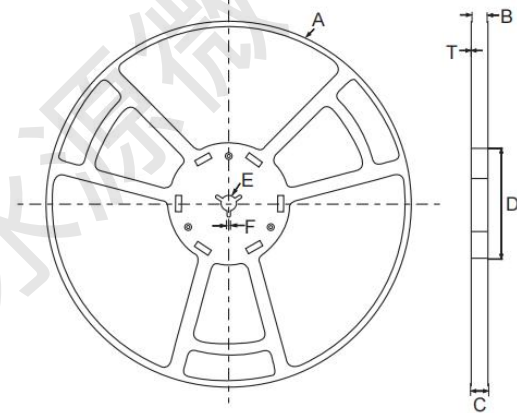


COMMON DIMENSIONS UNITS MEASURE=MILLIMETER			
SYMBOL	MIN	NOM	MAX
A	2.35	2.45	2.55
A1	4.00	4.10	4.20
A2	1.45	1.50	1.55
B	4.40	4.50	4.60
B1		1.55 REF	
B2	1.00	1.10	1.20
B3		1.63 REF	
C	1.45	1.50	1.55
C1	0.39	0.40	0.41
C2	0.4	0.48	0.55
C3	0.35	0.4	0.45
E1	2.65	2.75	2.85

**Package Mechanical Data-SOT89-3L --- B**

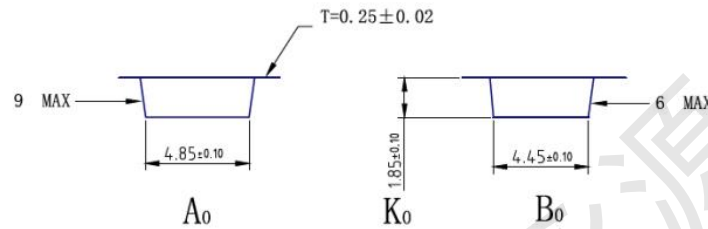
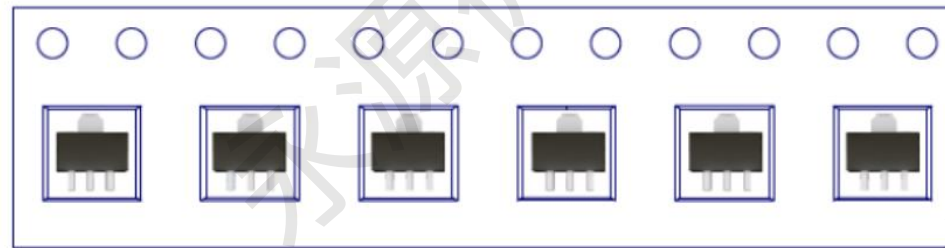


## Reel Specification-SOT89-3L



symbol	Value(unit:mm)
A	$\Phi 330 \pm 1$
B	$12.7 \pm 0.5$
C	$16.5 \pm 0.3$
D	$\Phi 99.5 \pm 0.5$
E	$\Phi 13.6 \pm 0.3$
F	$2.8 \pm 0.3$
T1	$1.9 \pm 0.2$

Reel (13")



### Package Quantity

封装形式 Encapsulation mode	包装方式 Modes of packing	包装数量(Package quantity)/重量 (Weight)		
SOT89-3L	盘/Reel	3000PCS/盘 (Reel)	6000PCS/内盒 (Inner Carton)	30000PCS/箱 (Box)
		0.51KG	1.36KG	7.59KG