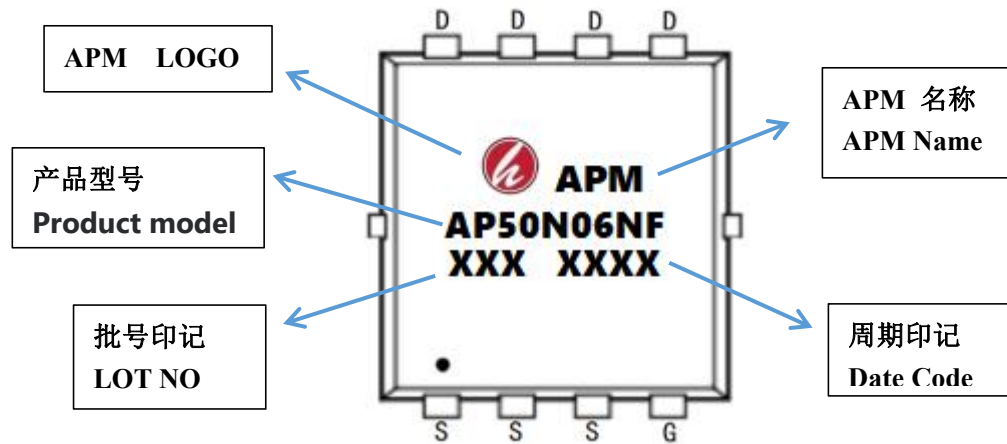
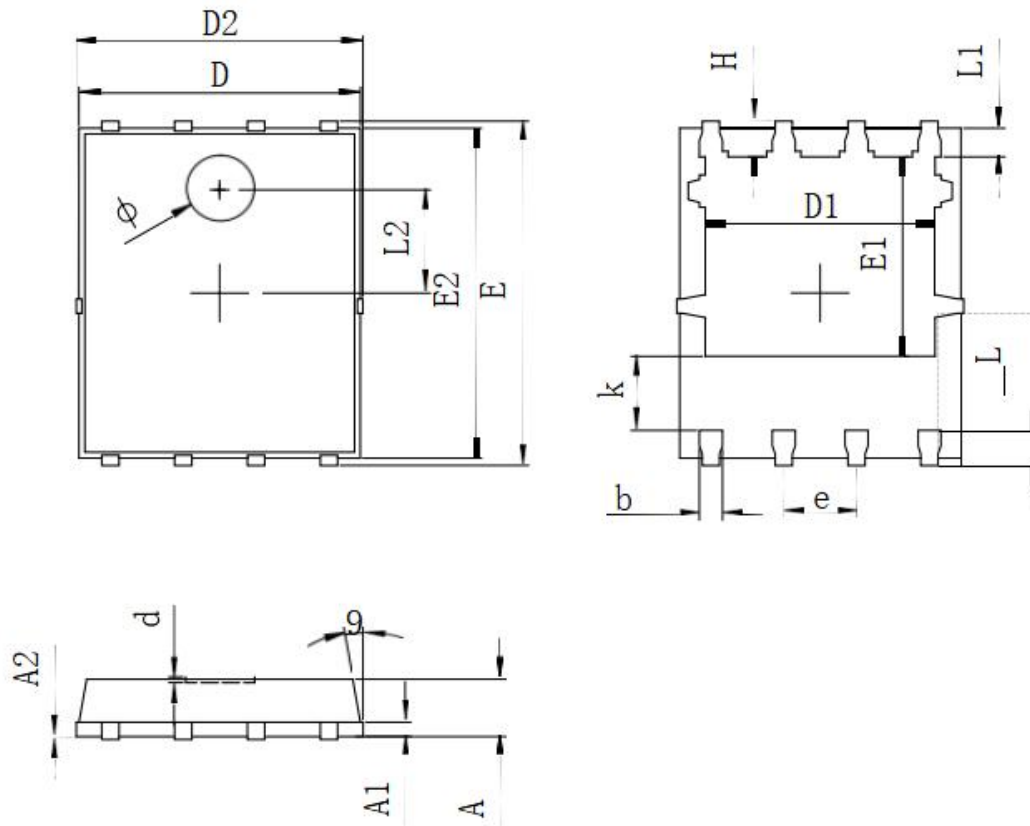


Screening Instructions

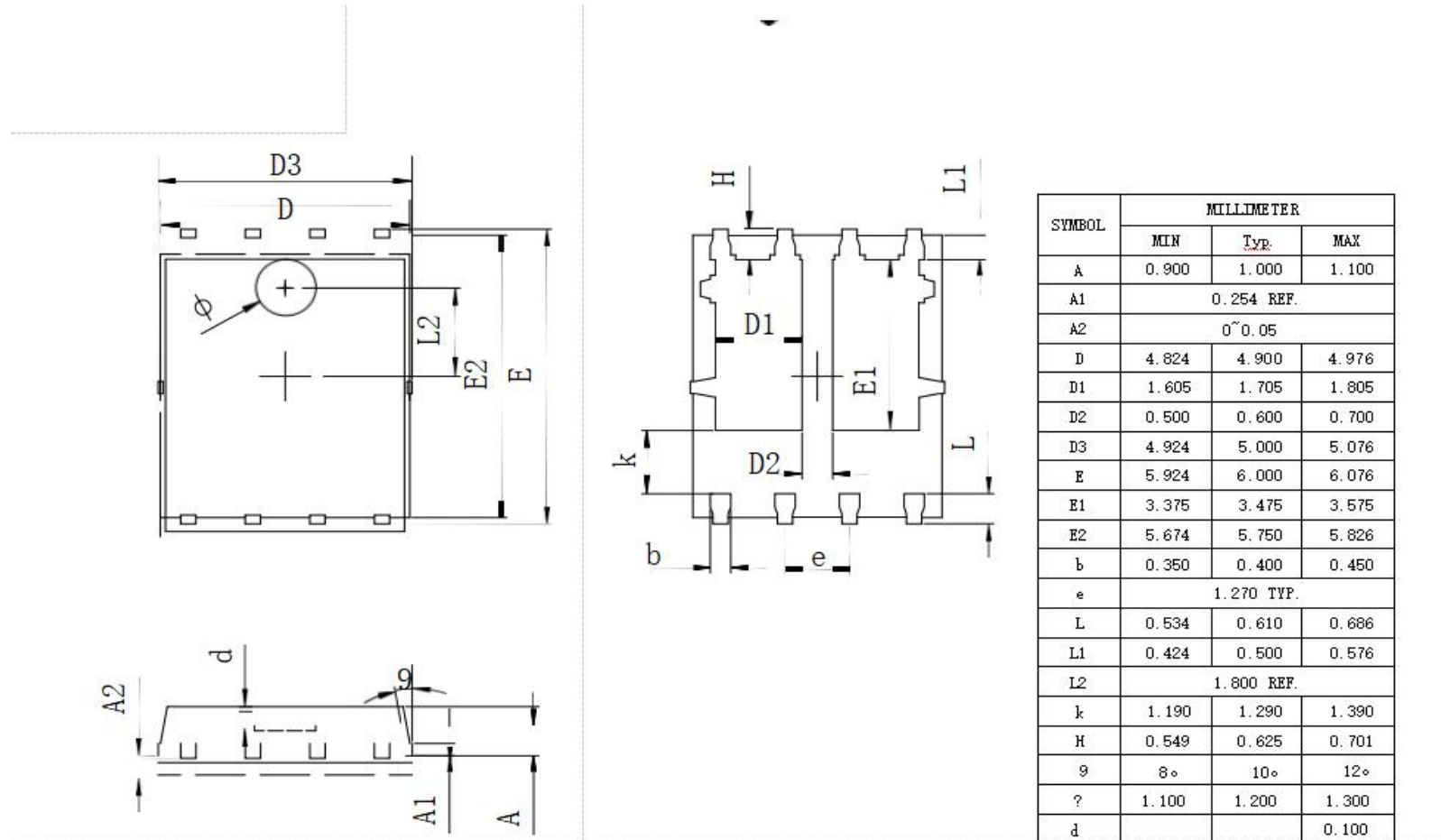


Package Mechanical Data-PDFN5*6-8L --- A.1

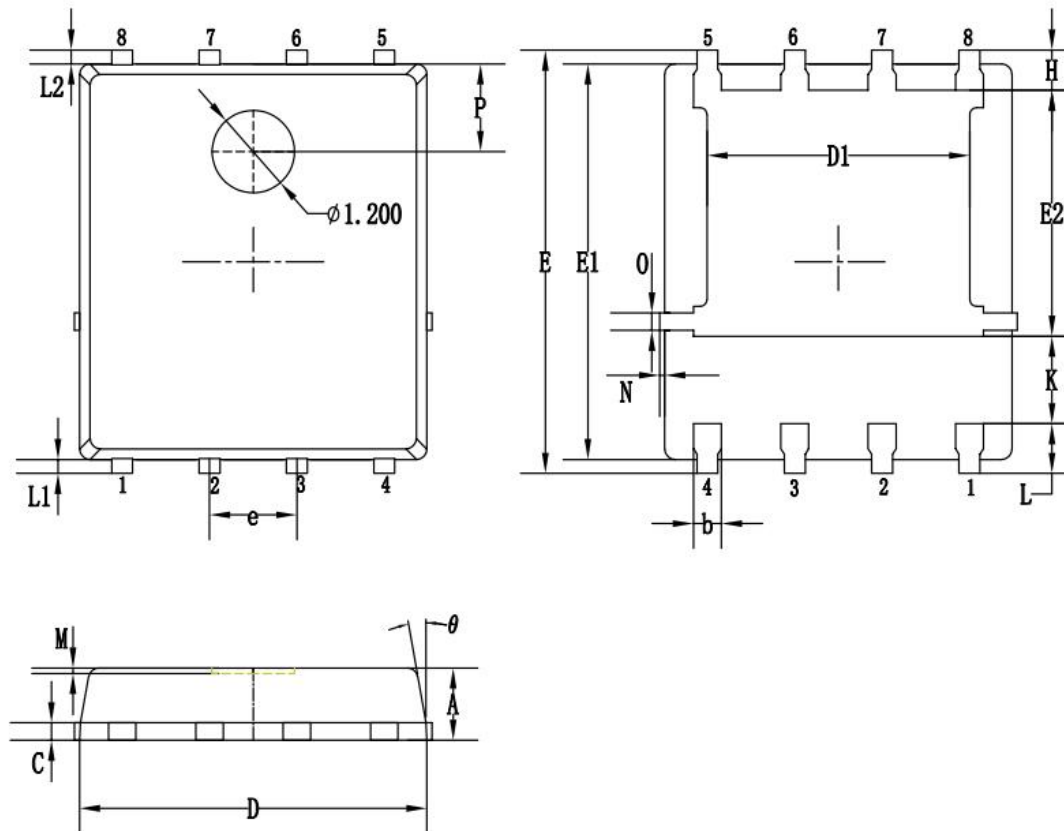


SYMBOL	MILLIMETER		
	MIN	Typ.	MAX
A	0.900	1.000	1.100
A1	0.254 REF.		
A2	0~0.05		
D	4.824	4.900	4.976
D1	3.910	4.010	4.110
D2	4.924	5.000	5.076
E	5.924	6.000	6.076
E1	3.375	3.475	3.575
E2	5.674	5.750	5.826
b	0.350	0.400	0.450
e	1.270 TYP.		
L	0.534	0.610	0.686
L1	0.424	0.500	0.576
L2	1.800 REF.		
k	1.190	1.290	1.390
H	0.549	0.625	0.701
9	8°	10°	12°
⊙	1.100	1.200	1.300
d			0.100

Package Mechanical Data-PDFN5*6-8L --- A.2

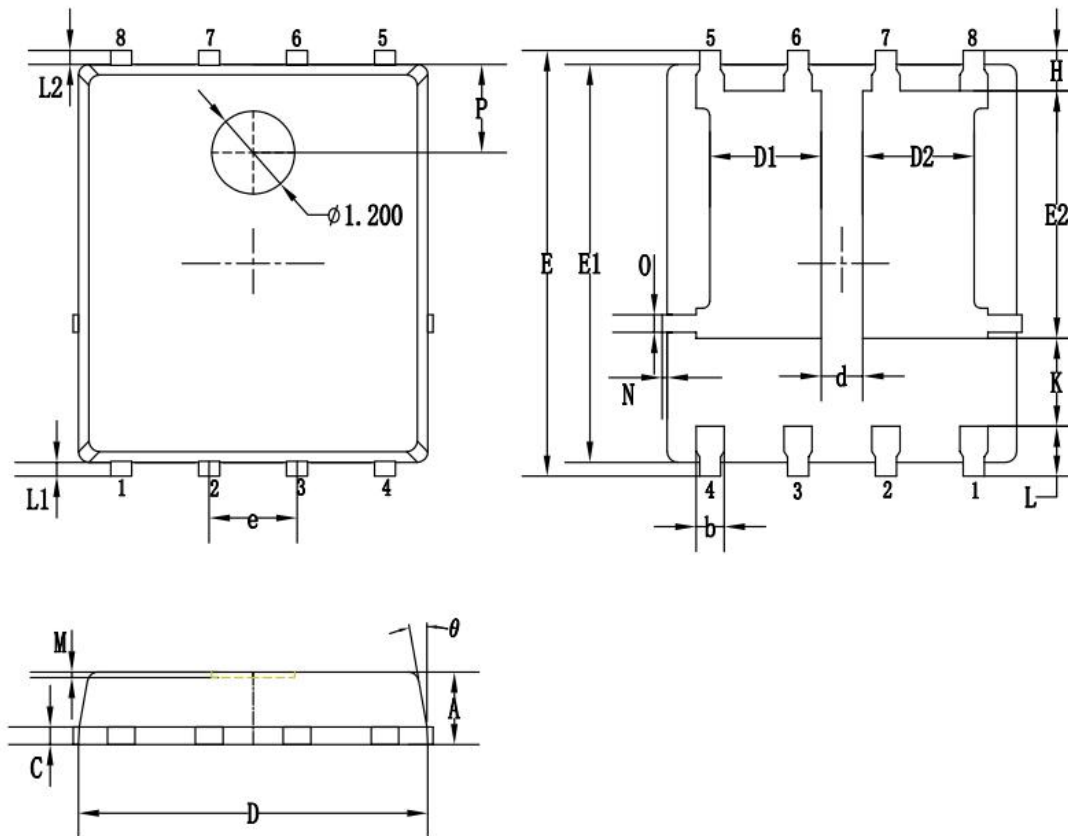


Package Mechanical Data-PDFN5*6-8L --- B.1



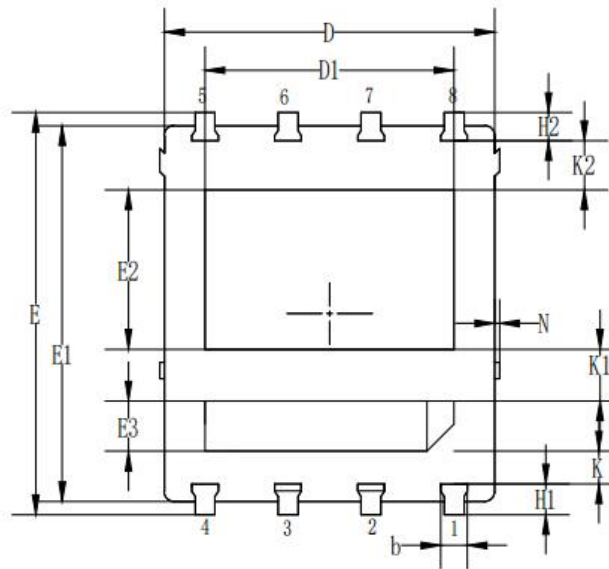
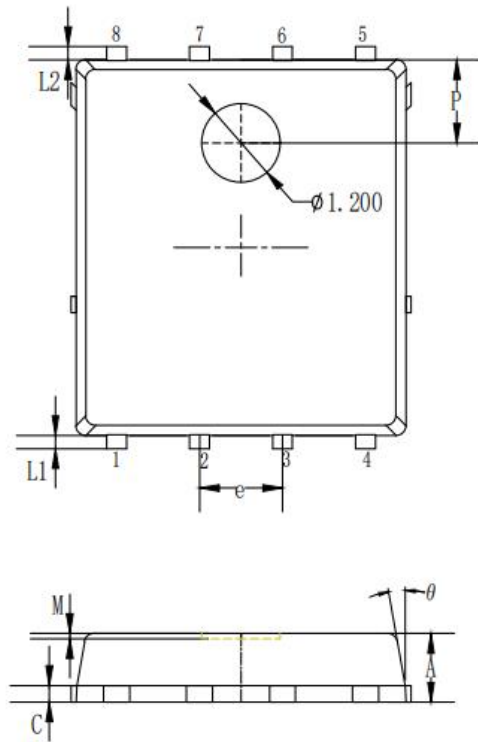
Symbols	Millimeters		
	MIN.	NOM.	MAX.
A	0.90	1.05	1.20
b	0.35	0.40	0.50
C	0.20	0.25	0.35
D	4.90	5.05	5.20
D1	3.72	3.82	3.92
E	6.00	6.15	6.30
E1	5.60	5.75	5.90
E2	3.47	3.57	3.67
e	1.27 BSC.		
H	0.48	0.58	0.68
K	1.17	1.27	1.37
L	0.64	0.74	0.84
L1/L2	0.20 REF.		
θ	8°	10°	12°
M	0.08 REF.		
N	0	-	0.15
O	0.25 REF.		
P	1.28 REF.		

Package Mechanical Data-PDFN5*6-8L --- B.2



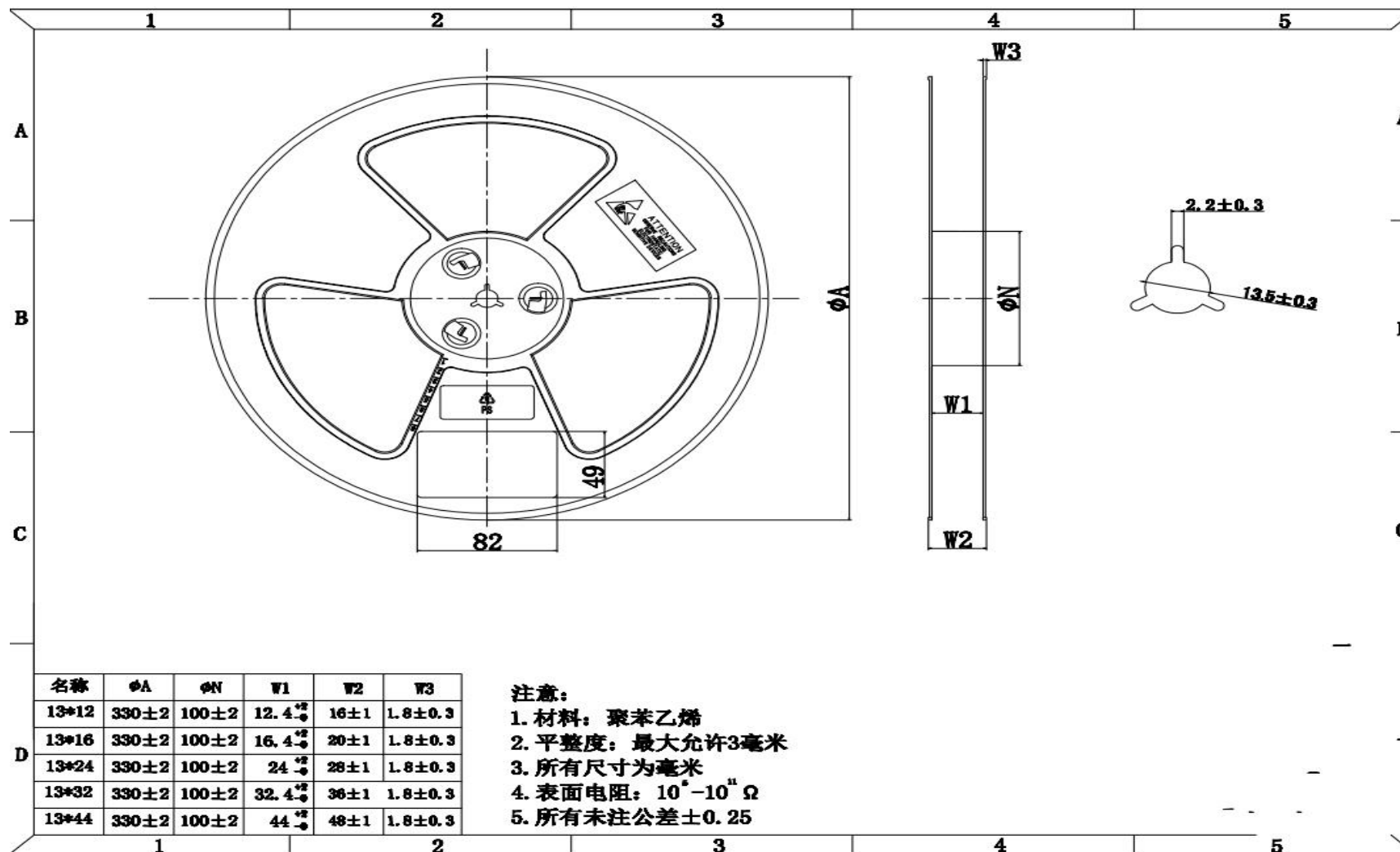
Symbols	Millimeters		
	MIN.	NOM.	MAX.
A	0.90	1.05	1.20
b	0.35	0.40	0.50
C	0.20	0.25	0.35
D	4.90	5.05	5.20
D1/D2	1.51	1.61	1.71
d	0.50	0.60	0.70
E	6.00	6.15	6.30
E1	5.60	5.75	5.90
E2	3.47	3.57	3.67
e	1.27 BSC.		
H	0.48	0.58	0.68
K	1.17	1.27	1.37
L	0.64	0.74	0.84
L1/L2	0.20 REF.		
θ	8°	10°	12°
M	0.08 REF.		
N	0	-	0.15
O	0.25 REF.		
P	1.28 REF.		

Package Mechanical Data-PDFN5*6-8L --- B.3

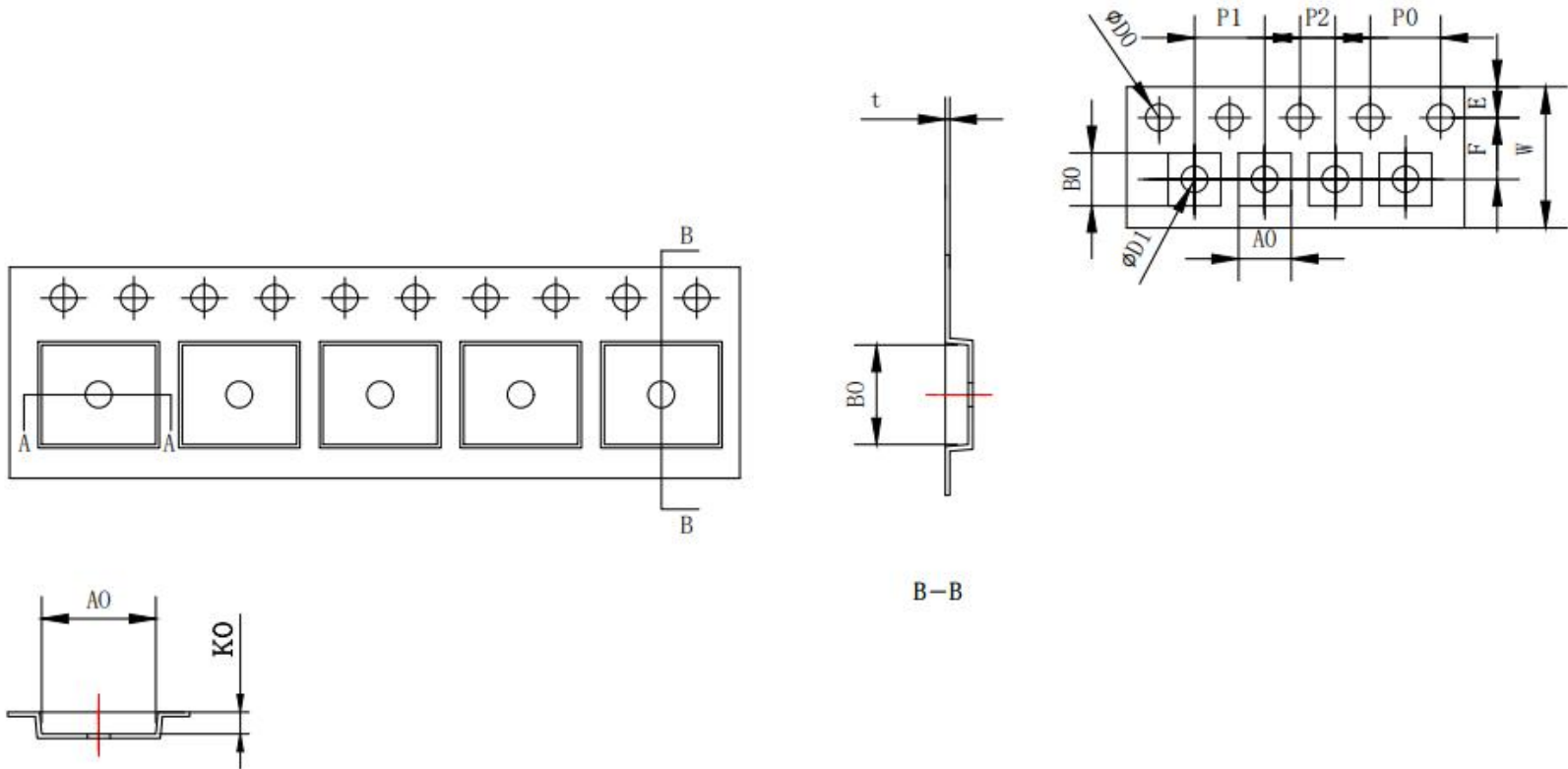


Symbols	Millimeters		
	MIN.	NOM.	MAX.
A	0.90	1.05	1.20
b	0.35	0.40	0.50
C	0.20	0.25	0.35
D	4.90	5.05	5.20
D1	3.71	3.81	3.91
E	6.00	6.15	6.30
E1	5.65	5.75	5.85
E2	2.34	2.44	2.54
E3	0.67	0.77	0.87
e	1.27 BSC.		
H1	0.37	0.47	0.57
H2	0.33	0.43	0.53
K	0.40	0.50	0.60
K1	0.69	0.79	0.89
K2	0.65	0.75	0.85
L1/L2	0.20 REF.		
θ	8°	10°	12°
M	0.08 REF.		
N	0	-	0.15
P	1.28 REF.		

Reel Specification-PDFN5*6-8L



SPEC	W	E	F	DO	D1	P0	P2	10P0	P1	A0	A1	B0	B1	K0	K1	t
SIZE	12.00 ±0.30	1.75 ±0.10	5.50 ±0.10	1.50 +0.10	1.50 +0.10	4.00 ±0.10	2.00 ±0.10	40.00 ±0.20	8.00 ±0.10	6.50 ±0.10	/	5.65 ±0.10	/	1.40 ±0.10	/	0.30 ±0.05



Package Quantity

封装形式 Encapsulation mode	包装方式 Modes of packing	包装数量(Package quantity)/重量 (Weight)		
PDFN5*6-8L	盘/Reel	5000PCS/盘 (Reel)	10000PCS/内盒 (Inner Carton)	50000PCS/箱 (Box)
		0.98KG	2.18KG	11.6KG