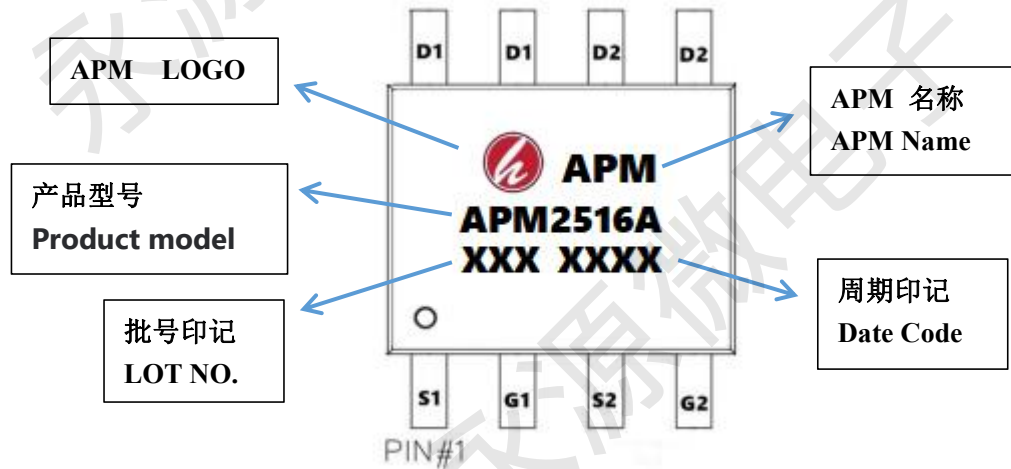
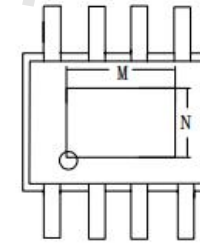
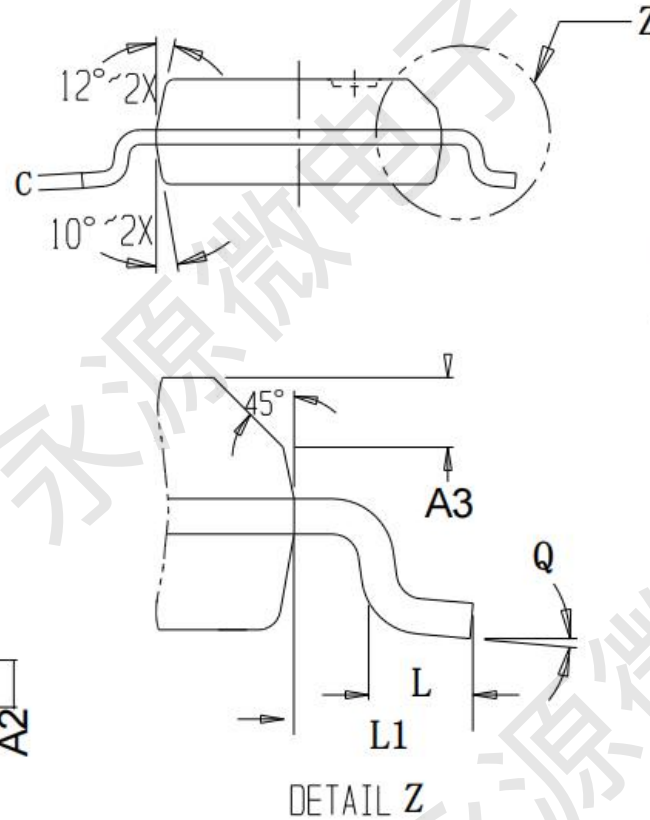
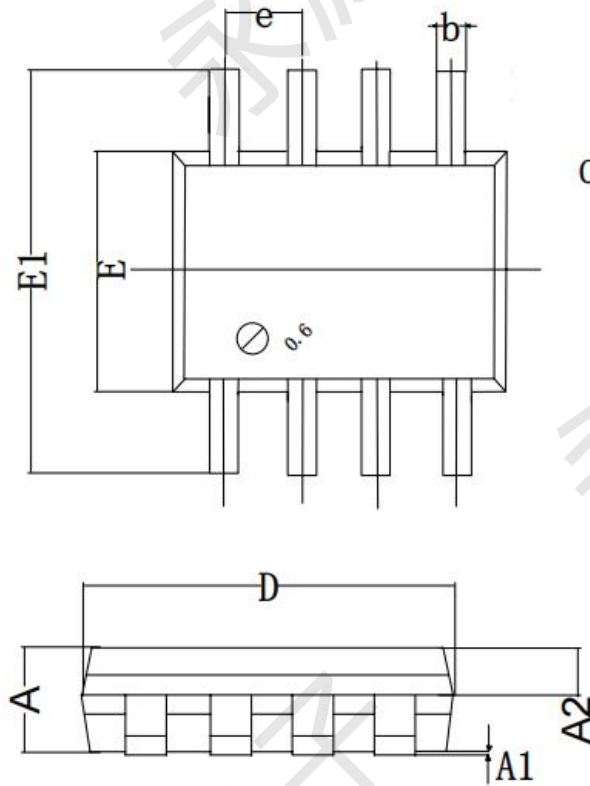


Screening Instructions



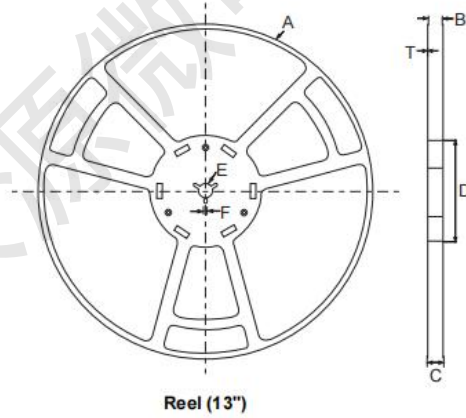
Package Mechanical Data-ESOP-8L --- A

ESOP8
PACKAGE OUTLINE DIMENSIONS



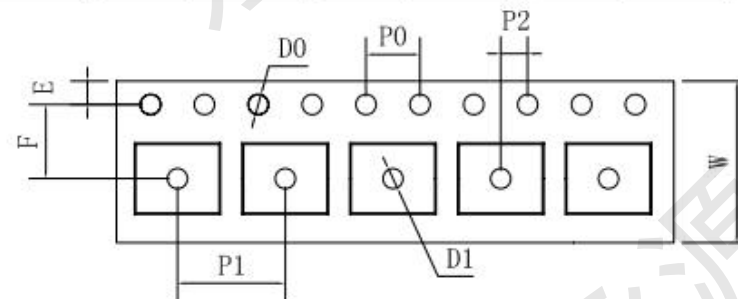
COMMON DIMENSIONS			
UNITS MEASURE=MILLIMETER			
SYMBOL	MIN	MID	MAX
A	1.35	1.45	1.55
A1	0.00	0.05	0.10
A2	0.65	0.70	0.75
A3	0.35	0.40	0.45
b	0.35	0.40	0.45
c	0.18	0.20	0.22
D	4.70	4.90	5.10
e	-	1.27TYP	-
E1	5.80	6.10	6.20
E	3.80	3.90	4.00
L	0.40	0.60	0.80
Q	0°	/	8°
M	3.10	3.20	3.30
N	2.20	2.30	2.40
L1	1.05REF		

Reel Specification-ESOP-8L



symbol	Value(unit:mm)
A	$\Phi 330 \pm 1$
B	12.7 ± 0.5
C	16.5 ± 0.3
D	$\Phi 99.5 \pm 0.5$
E	$\Phi 13.6 \pm 0.3$
F	2.8 ± 0.3
T1	1.9 ± 0.2

产品尺寸规格 (UNIT: mm)									
规格	W	P1	E	F	D0	D1	P0	P2	
尺寸	$12^{+0.3}_{-0.1}$	8 ± 0.1	1.75 ± 0.1	5.5 ± 0.05	$1.5^{+0.1}_{-0.0}$	1.5 ± 0.1	4 ± 0.1	2 ± 0.05	
规格	A0	A1	B0	B1	K0	K1	T		
尺寸	6.4 ± 0.1		5.3 ± 0.1		2.15 ± 0.1		0.3 ± 0.05		



Package Quantity

封装形式 Encapsulation mode	包装方式 Modes of packing	包装数量(Package quantity)/重量 (Weight)		
ESOP-8L	盘/Reel	3000PCS/ 盘(Reel)	6000PCS/内盒 (Inner Carton)	48000PCS/箱(Box)
		0.525KG	1.4KG	12.2KG